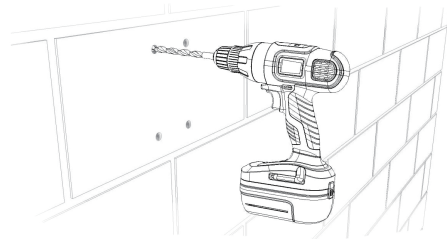
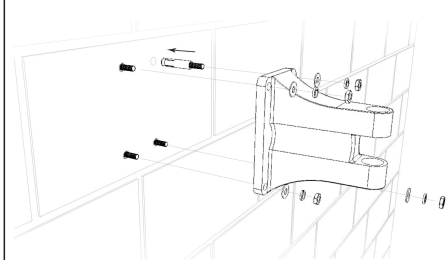


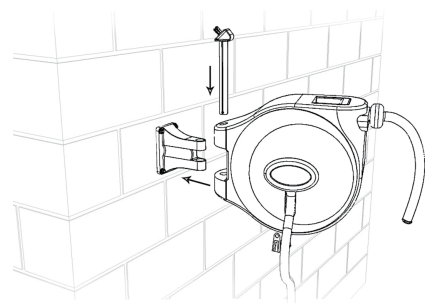
## Assembly Instructions



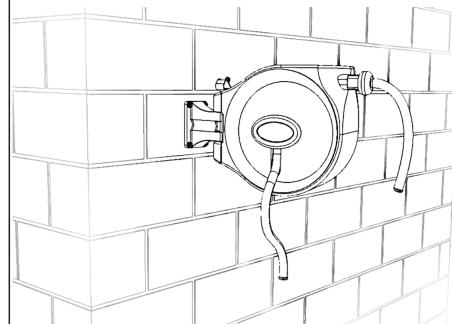
Use the template provided in this instruction manual to mark hole location on a sturdy wall  
Use appropriate 1/2" drill bit and drill 4 holes at least 2.5" deep



Install provided anchors into 4 holes  
Slide plastic mount over 4 anchors  
Install washers, lock washers, and nuts  
Tighten nuts securely.



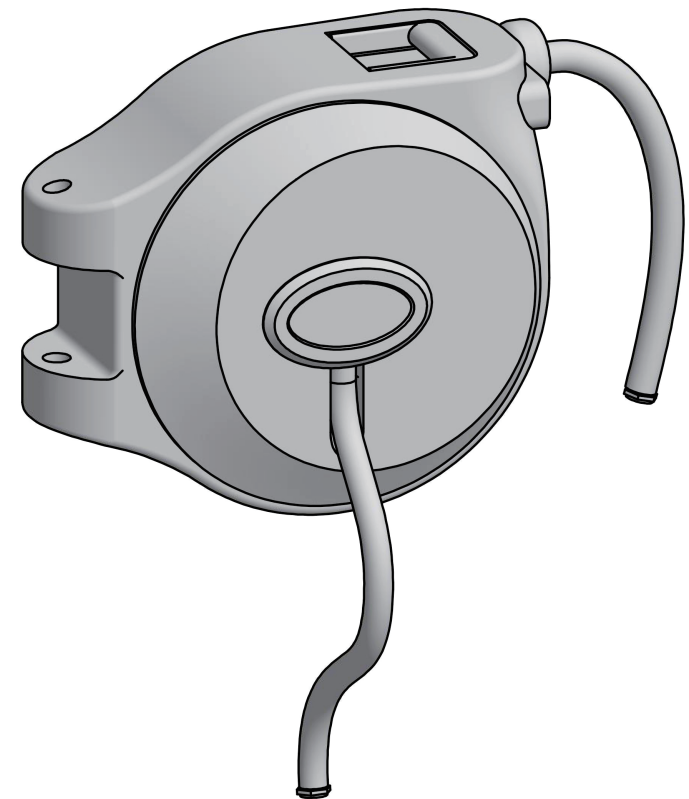
Align Power Reel mounting hole with holes in bracket. Slide Pin through all holes to secure.  
The unit should rotate freely



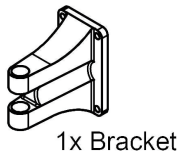
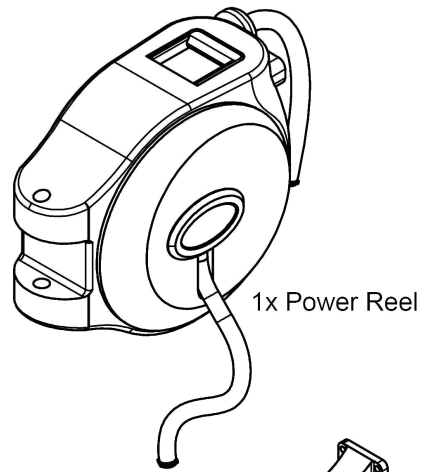
Completed Installation



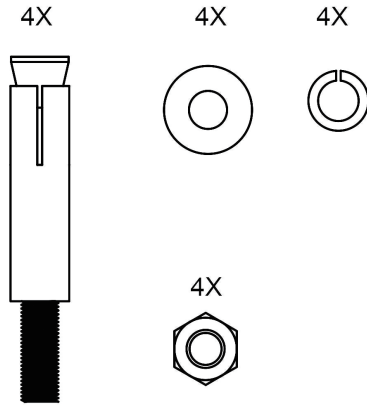
BL-GW050



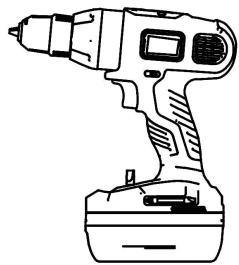
# PARTS



Actual Size



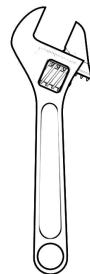
## What you will need



Drill

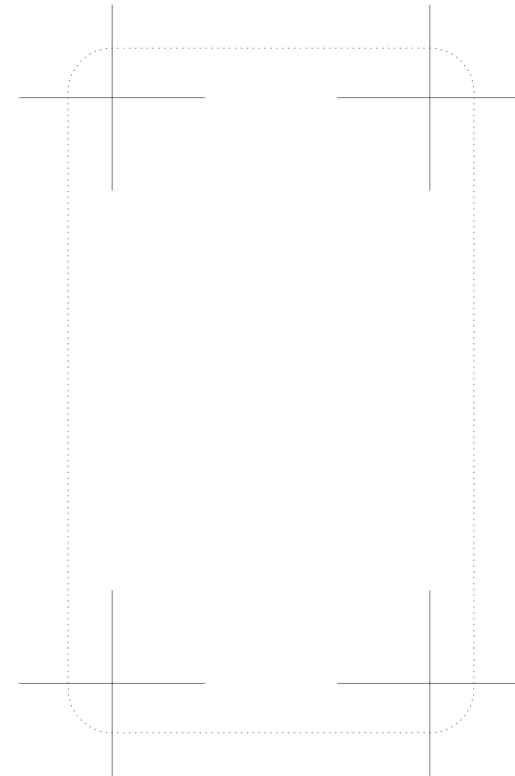


1/2" Drill Bit



Wrench

# TEMPLATE



Mark the wall where you are mounting your Retractable Power Hose Reel at the center of the four crosshairs.

Use 1/2" Concrete Drill bit to drill a hole at the center of each crosshair. Drill holes at least 2" deep.